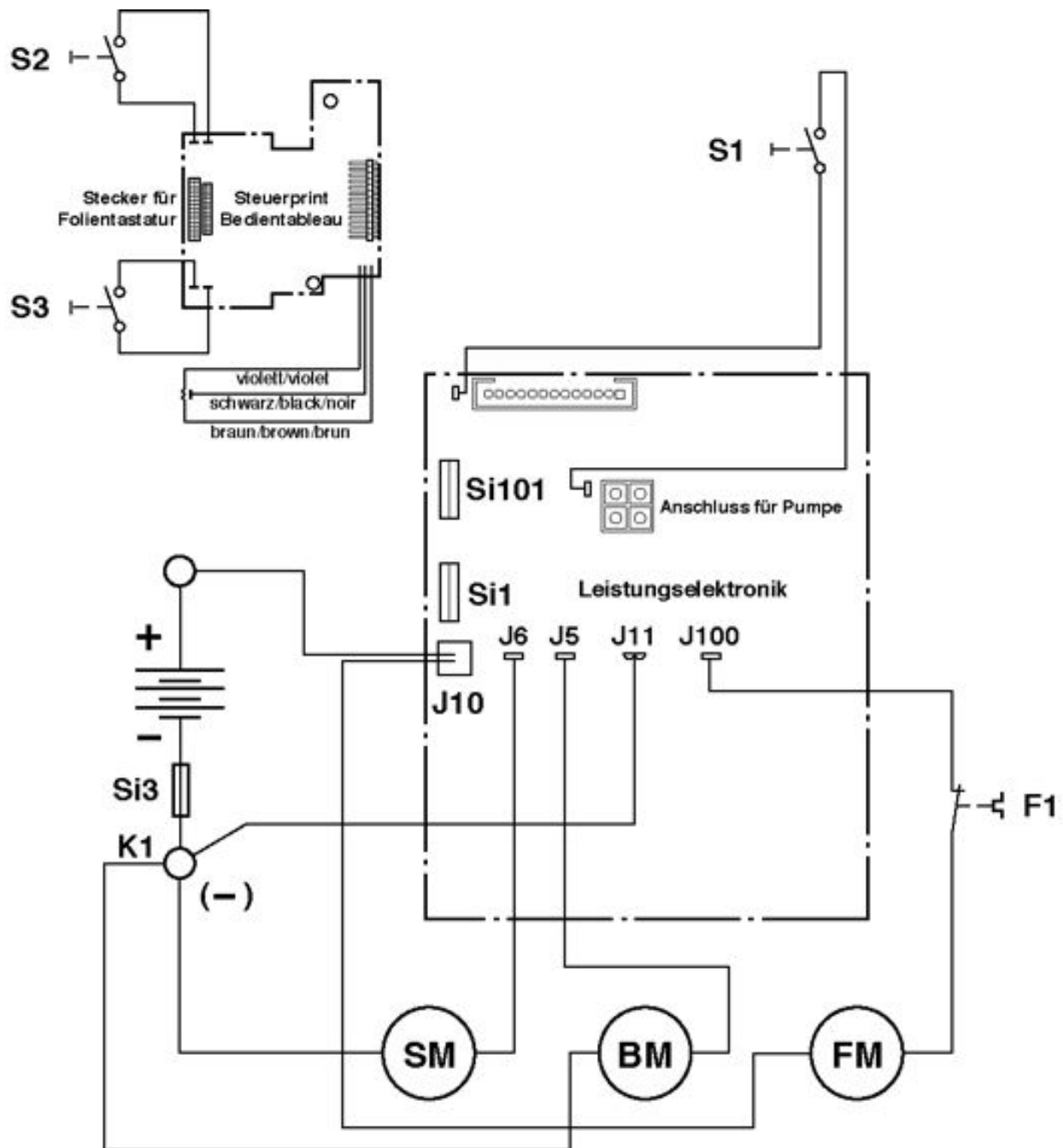


Wiring diagram

As at: 01/25/10 Time:22:45



- Si 1 = Feinsicherung 3,15 A / Fuse 3,15 A / Fusible 3,15 A
- Si 101 = Feinsicherung 1 A / Fuse 1 A / Fusible 1 A
- Si 3 = Hauptsicherung 50 A / Fuse 50 A / Fusible 50 A
- F 1 = Thermorelais 10 A / Relais 10 A / Relais 10 A
- S 1 = Schwimmerschalter
- S 2 = Schlüsselschalter
- S 3 = Tastschalter Fahrmotor
- K 1 = Klemme für Minuspol
- SM = Saugmotor / Vacuum motor / Moteur d'aspiration
- BM = Bürstmotor / Motor / Moteur
- FA = Fahrmotor / Driving motor / Moteur à rouler

Wiring diagram

As at: 01/25/10 Time:22:45

Pos.	Description	Reference
BM	Brush motor	560.250
F1	Thermal relay 10 A	500.957
FA	Drive motor	560.415
K 1	Clamp for negative pole
S 1	Float switch	560.669
S 2	Key switch	560.361
S 3	Push-button drive motor
Si 1	Fuse 3,15 A	P...363 B
Si 10	Fuse 1 A	P...218 A
Si 3	Fuse 50 A	560.710
SM	Vacuum motor	560.666