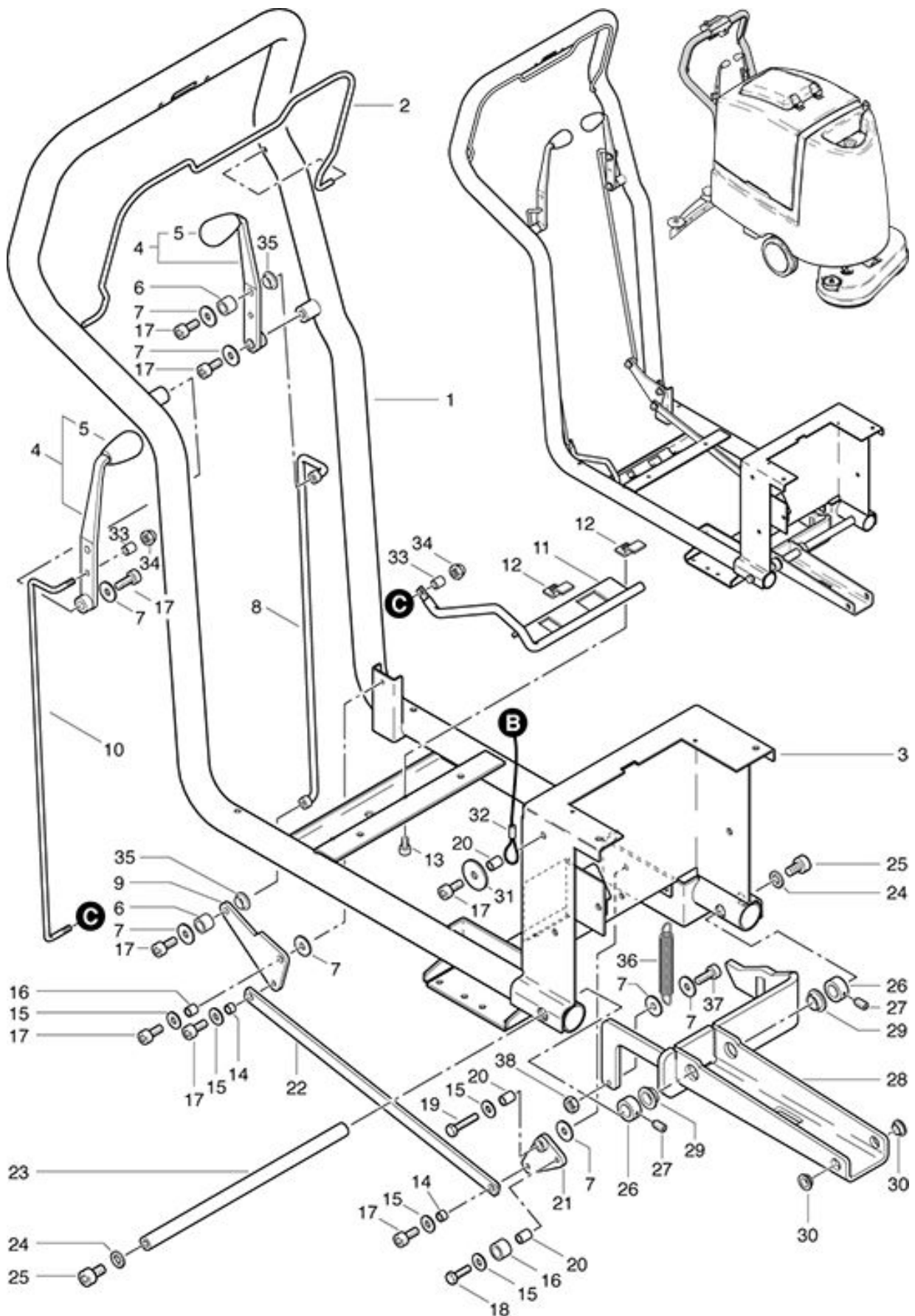


Upper pushbar

As at: 01/25/10 Time:22:43



Upper pushbar

As at: 01/25/10 Time:22:43

Pos.	Description	Reference
01	Push-bar complete	560.120
02	Switch bar	560.570
03	Trigger front	560.438
04	Operating lever compl.	560.161
05	Handle	530.809
06	Plastic can	P...509 G
07	Washer M 6	P...496 K
08	Coupling bar	560.435
09	Handle 2	560.151
10	Coupling bar to suction nozzle	560.578
11	Lifting handle to suction nozzle	560.575
12	Bearing bride	560.577
13	Hexagon socket screw M 4x8	P...488 D
14	Bearing sleeve	560.143
15	Washer M 6	P...496 V
16	Bearing sleeve bronze	560.144
17	Hexagon socket screw M 6x12	P..470 R
18	Hexagon screw M 6x20	P...470 X
19	Hexagon screw M 6x30	P...470 U
20	Bearing sleeve	560.142
21	Handle 1, as from Masch.no. 8836	561.141
21	Handle 1,up to Masch.no.8835	560.141
22	Leesh	560.432
23	Cover plate	560.425
24	Washer M 12	P...498 V
25	Hexagon socket screw M 12x20	P...488 W
26	Adjusting ring	560.428
27	Screw M 5x8	P...482 V
28	Lifting lever	560.224
29	Permaglidebuechse	P...321 E
30	Permaglidebuechse	500.123
31	Washer M 6x25	P...497 Y
32	Cordel	560.726
33	Bearing sleeve	560.143
34	Castellated nut M 5	P...495 F
35	Permaglide Büchse 8/10/5.5	P...321 D
36	Mainspring	560.225
37	Hexagon socket screw M 6x18	P...486 R
38	Nut M 6	P...490 D