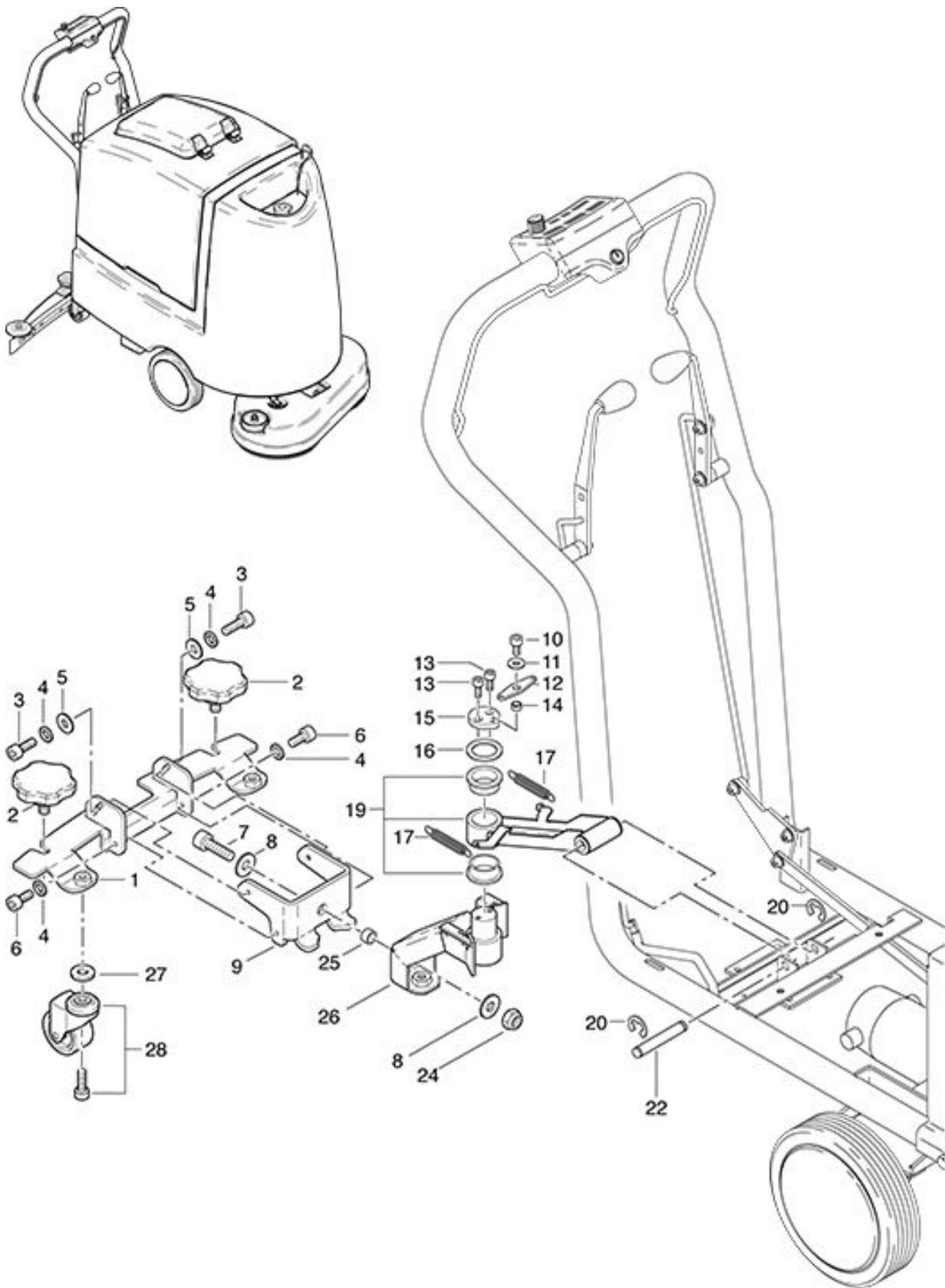


Suspension suction nozzle

As at: 01/25/10 Time:22:42



Suspension suction nozzle

As at: 01/25/10 Time:22:42

Pos.	Description	Reference
01	Support to nozzle suspension	560.527
02	Star handle	P...253 F
03	Hexagon socket screw M 6x16	P...486 R
04	Serrated lock washer M 6	P...498 K
05	Washer M 6	P...496 L
06	Hexagon socket screw M 6x12	P...486 Q
07	Hexagon socket screw M 8x25	P...487 D
08	Washer M 8	P...497 P
09	Plate	560.528
10	Hexagon socket screw M 5x8	P...488 E
11	Washer M 5	P...496 G
12	Latch spring plate	560.526
13	Hexagon socket screw M 4x10	P...489 D
14	Distance ring	560.525
15	Latch cover	560.524
16	Washer 25/30/1	P...099
17	Tension spring	560.568
19	Removal compl.	561.521
20	Retaining washer	P...499 N
22	Axle	560.532
24	Stop nut M 8	P...492 H
25	Distance ring	560.531
26	Pipe	560.523
27	Washer M 10	P...496 S
28	Castor compl.	P...209 C