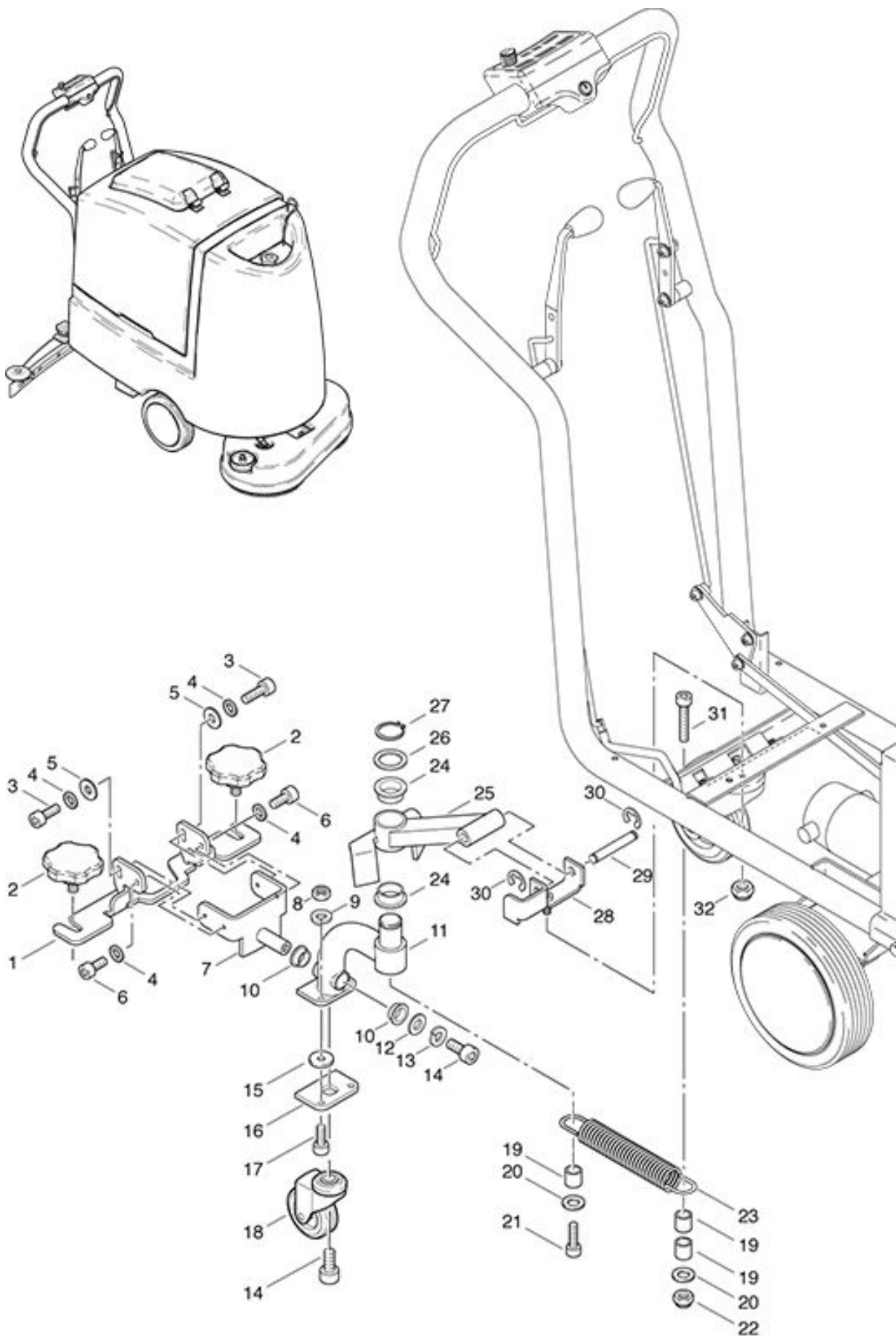


Suspension suction nozzle

As at: 01/25/10 Time:22:41



Aufhängung Saugdüse

Suspension bec de dévolteur / Suspension suction nozzle, bis, à des, up to Masch.no.8612

B 12-04.2008

Suspension suction nozzle

As at: 01/25/10 Time:22:41

Pos.	Description	Reference
01	Support to nozzle suspension	560.545
02	Star handle	P...253 F
03	Hexagon socket screw M 6x16	P...486 R
04	Serrated lock washer M 6	P...498 K
05	Washer M 6	P...496 L
06	Hexagon socket screw M 6x12	P...486 Q
07	Plate	560.544
08	Hexagon nut M 6	P...490 D
09	Locking screw M 6	P...498 U
10	Permaglide flanged bush	800.289
11	Pipe	560.543
12	Washer M 10	P...498 R
13	Locking screw M 10	P...498 E
14	Cylindrical screw M 10x30	P...487 ZC
15	Washer M 6	P...497 H
16	Adjustment plate	560.548
17	Hexagon socket screw M 6x25	P...489 O
18	Castor	560.547
19	Bearing bush	560.143
20	Washer M 6	P...496 K
21	Hexagon socket screw M 5x20	P...485 P
22	Security screw - nut M 6	P...495 B
23	Tension spring	560.567
24	Permaglide flanged bush	P...321 C
25	Removal	560.542
26	Washer 25/30/1	P...099
27	Retaining washer	P...513 D
28	Hinge	560.541
29	Axle	560.546
30	Retaining washer	P...499 N
31	Hexagon screw M 6x30	P...488 S
32	Security screw - nut M 8	P...492 H