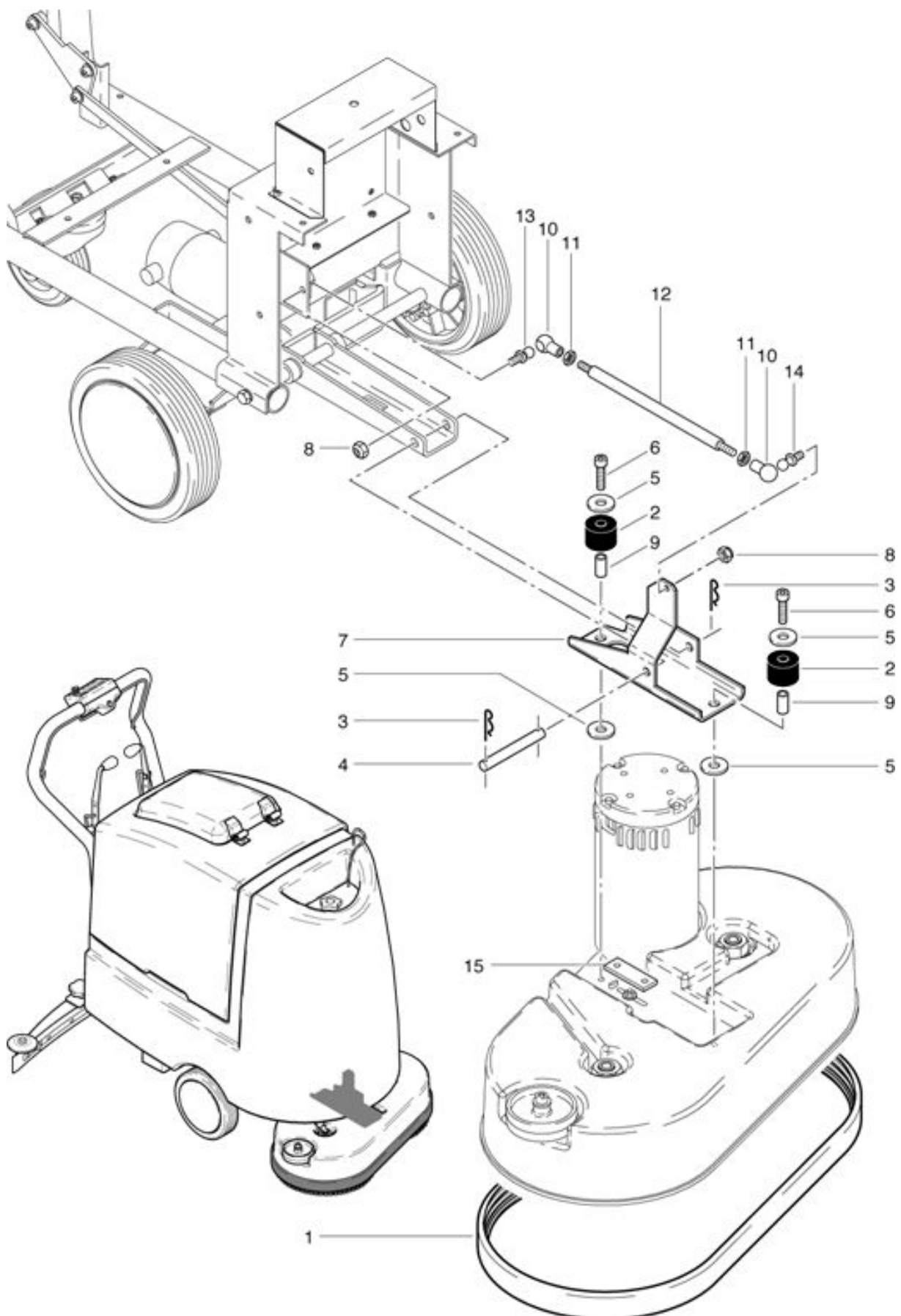


# Brush drive

As at: 01/25/10 Time:22:36



## Brush drive

As at: 01/25/10 Time:22:36

<b>Pos.</b>	<b>Description</b>	<b>Reference</b>
01	Shock protection	560.285
02	Bearing	560.265
03	Fuse	P...511 D
04	Bolt 10x86	560.429
05	Washer M 8x20	P...496 I
06	Cylindrical screw M 8x30	P...471 G
07	Support	560.267
08	Security nut M 8	P...492 H
09	Socket	560.266
10	Ball socket	P...512 C
11	Hexagon nut M 8	P...491 U
12	Track bar	560.441
13	Ball pin	P...512 D
14	Ball pin spez.	560.292
15	Support	560.268