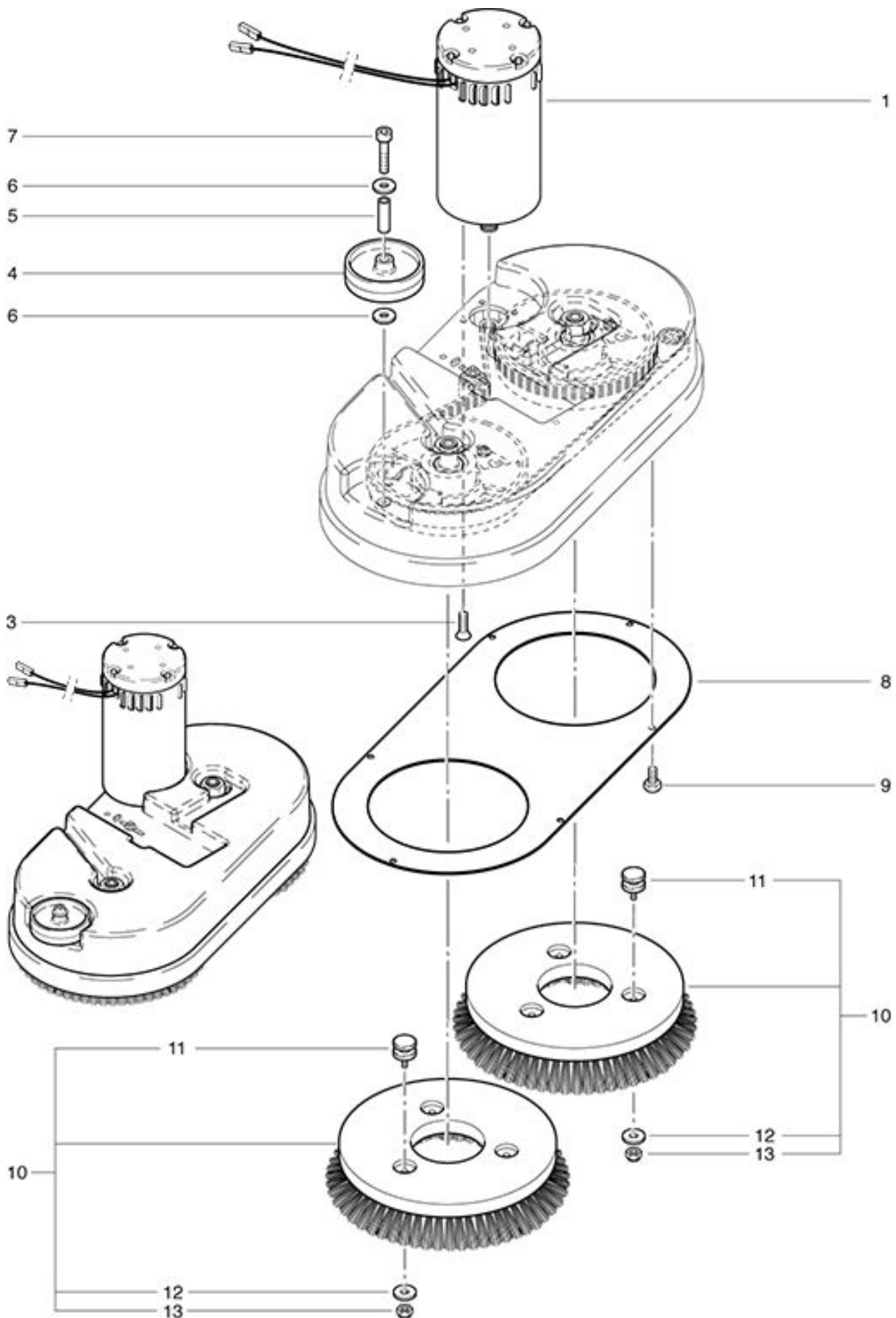


# Brush

As at: 01/25/10 Time:22:35



# Brush

As at: 01/25/10 Time:22:35

<b>Pos.</b>	<b>Description</b>	<b>Reference</b>
01	Brush motor	560.251
03	Countersunk screw M 6x16	P...487 W
04	Fender wheel	530.136
05	Distance ring	530.138
06	Washer M 6	P...496 M
07	Hexagon screw M 6x45	P...488 U
08	Metal cover	560.280
09	Screw M 5x8	P...481 L
10	Brush complet incl. the pos. 11-14	560.261
11	Bolt for driving plate	710.462
12	Washer M 6	P...510 L
13	Security M 6	P...492 K