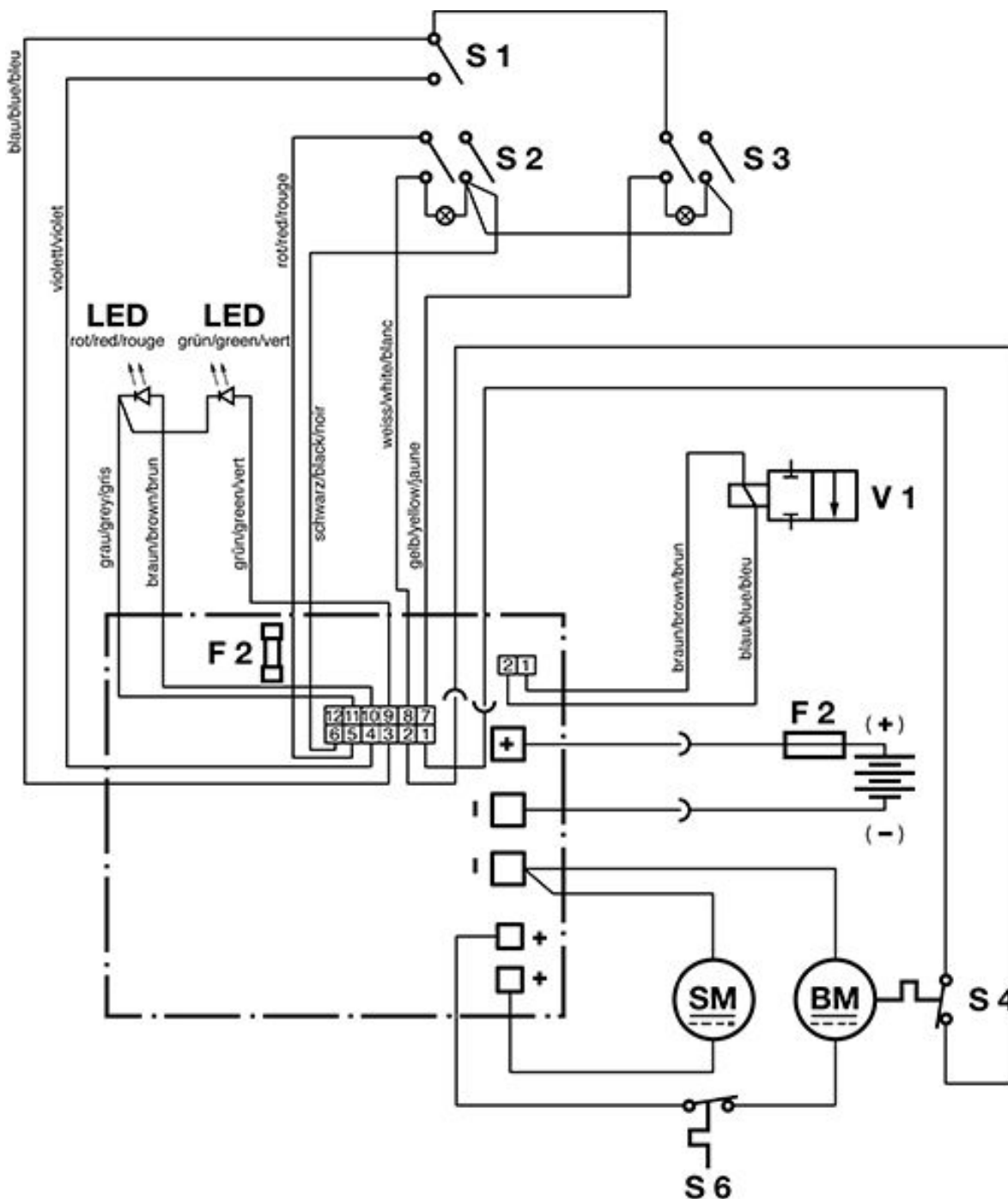


Wiring diagram

As at: 01/25/10 Time:19:25



- S 1 = Schalter Bürstmotor / Switch for brush motor / Interrupteur pour moteur
- S 2 = Schalter Ventil / Valve - Switch / Interrupteur pour valve
- S 3 = Schalter Saugmotor / Suction motor switch / Interrupteur pour moteur
- S 4 = Motor Temperaturwächter / Motor Temperature switch
- S 6 = Motorschutzschalter 25 A / Motor-protection switch 25 A
- BM = Bürstmotor / Motor / Brush moteur
- SM = Saugmotor / Moteur d'aspiration / Vacuum motor
- V 1 = Ventil / Valve
- F 1 = Sicherung 3.15 A / Fuse 3.15 A / Fusible 3.15 A
- F 2 = Sicherung 75 A / Fuse 75 A / Fusible 75 A

Wiring diagram

As at: 01/25/10 Time:19:25

Pos.	Description	Reference
BM	Brush motor	436.121
F 1	Fuse 3.15 A	
F 2	Fuse 75 A	
S 1	Switch for brush motor	6650454
S 2	Valve - Switch	P...240
S 3	Suction motor switch	P...240
S 4	Motor temperature switch	
S 6	Motor-protection switch 25 A	
SM	Vacuum motor	440.206
V 1	Valve	P...258