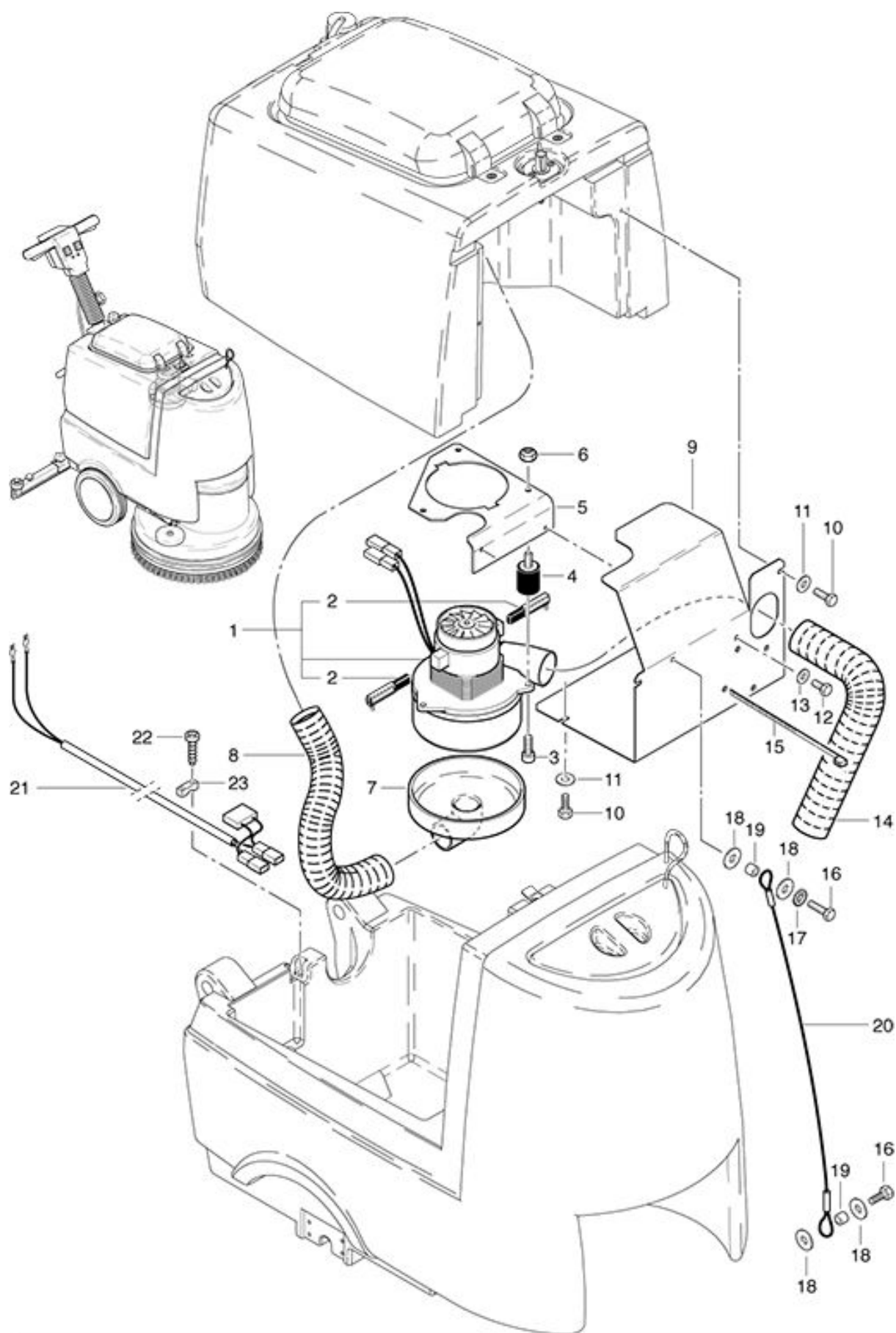


# Vacuum motor assembling

As at: 01/25/10 Time:19:25



# Vacuum motor assembling

As at: 01/25/10 Time:19:25

| <b>Pos.</b> | <b>Description</b>          | <b>Reference</b> |
|-------------|-----------------------------|------------------|
| 01          | Vacuum motor 24 V/400 W     | 440.206          |
| 02          | Pair of carbon brushes      | P...870 KB       |
| 03          | Cylindrical screw M 6x12    | P...486 Q        |
| 04          | Round buffer                | 400.217          |
| 05          | Motor support               | 436.355          |
| 06          | Locknut M 6                 | P...493 K        |
| 07          | Top cap                     | 470.490          |
| 08          | Suction hose                | 436.353          |
| 09          | Cover to blower             | 436.354          |
| 10          | Hexagon screw M 6x10        | P...471 Z        |
| 11          | Washer M 6                  | P...496 S        |
| 12          | Hexagon screw M 6x16        | P...470 T        |
| 13          | Washer M 6                  | P...497 K        |
| 14          | Drain hose                  | 470.488          |
| 15          | Cable strap                 | P...424          |
| 16          | Hexagon screw M 6x16        | P...470 T        |
| 17          | Washer M 6                  | P...499 D        |
| 18          | Washer M 6x25               | P...497 Y        |
| 19          | Distance piece              | 742.129          |
| 20          | Polyester-hurry 4x640 mm    | 436.447          |
| 21          | Cable tree with capacitor   | 436.357          |
| 22          | Fillister-head screw M 5x16 | P...476 E        |
| 23          | Cable clamp                 | 4611085          |