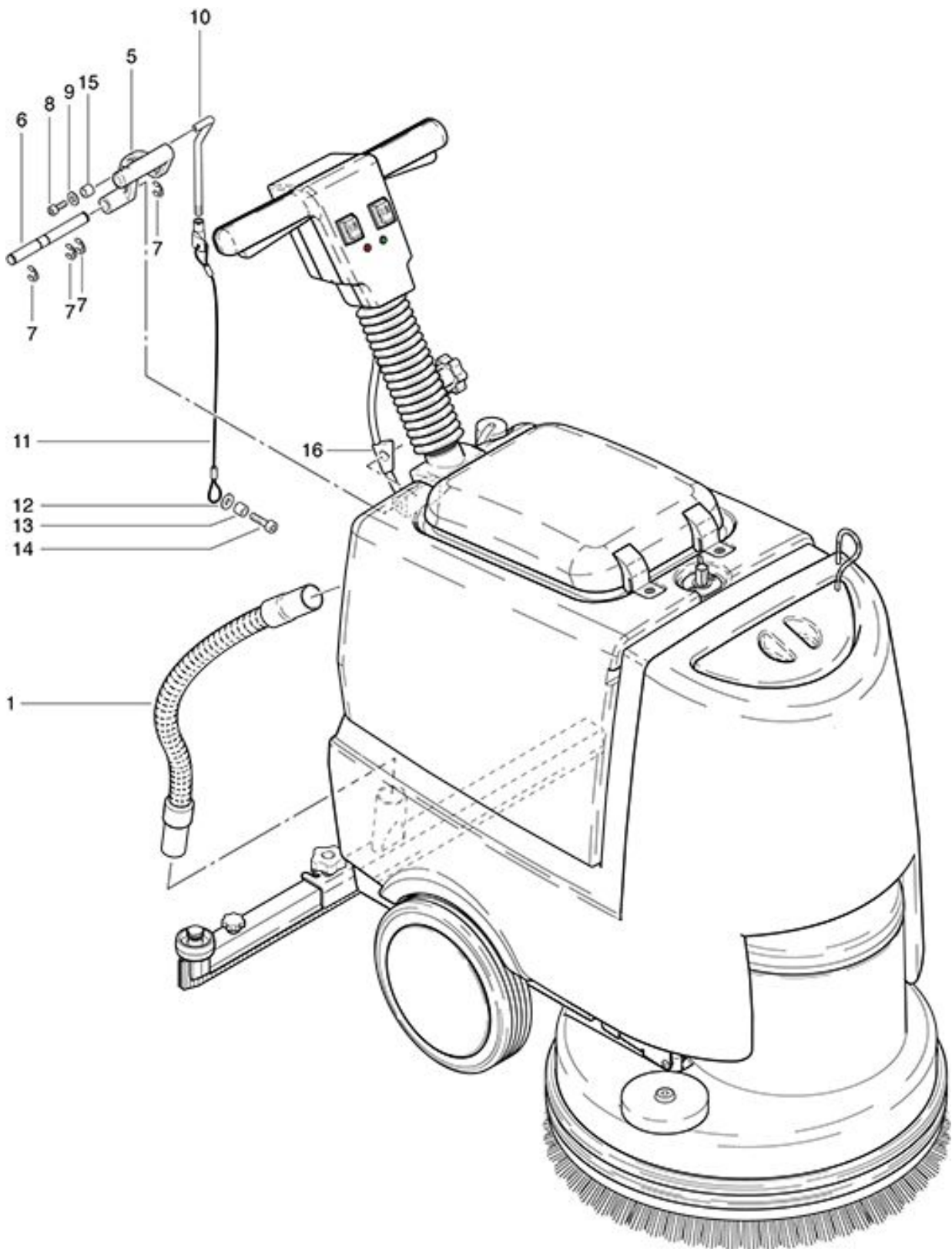


Suction nozzle removal

As at: 01/25/10 Time:19:24



Suction nozzle removal

As at: 01/25/10 Time:19:24

Pos.	Description	Reference
01	Hose complete	470.831
05	Lever to suction nozzle	432.365
06	Axle	432.361
07	Lock washer	P...499 Q
08	Fillister-head screw M 5x10	P...481 Z
09	Washer M 5	P...496 G
10	Lifting bar	432.370
11	Hauling cable RA 431 B	436.817
12	Washer M 5	P...496 K
13	Distance piece	430.618
14	Hexagon screw M 5x12	P...472 F
15	Distance piece	P...509 J
16	Cable entry	432.362