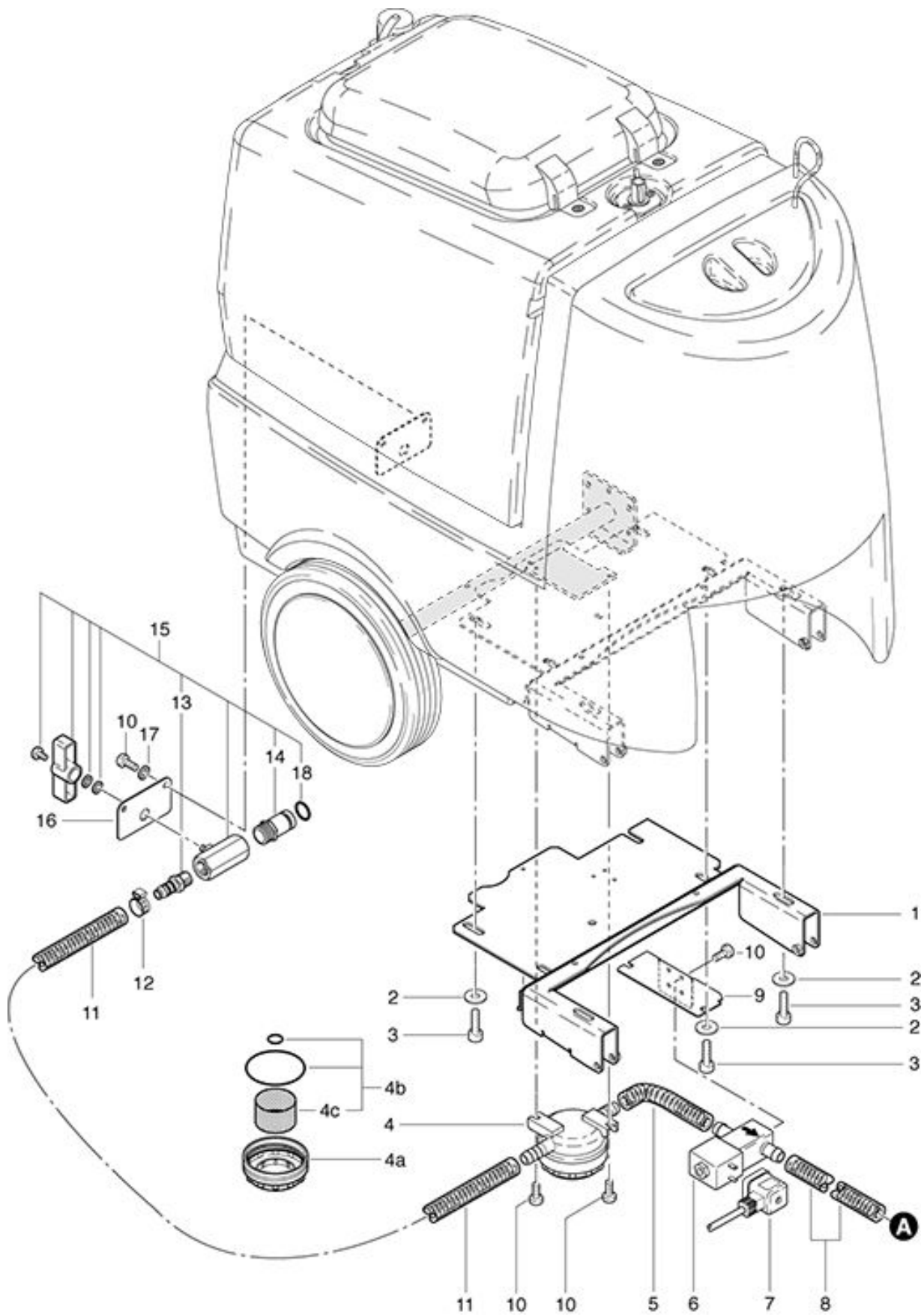


Magnetic valve and Filter assembling

As at: 01/25/10 Time:19:22



Magnetic valve and Filter assembling

As at: 01/25/10 Time:19:22

Pos.	Description	Reference
01	Girder sheet metal	436.052
02	Washer M 6	P...496 L
03	Hexagon screw M 6x12	P...486 Q
04	Filter compl.	430.759 A
04a	Filter cover	430.258
04b	Filter kit	430.759 A
04c	Filter	430.759 B
05	Hose 95 mm	501.091
06	Magnetic vale 24 V	P...258
07	Cable for magnetic valve	436.710
08	Hose 225 mm	432.152
09	Valve support plate	501.233
10	Truss head screw M 5x10	P...481 Z
11	Hose 390 mm	432.151
12	Hose clip 19.8-706R	P...550 N
13	Straight nipple	P...519 B
14	Nipple	432.087
15	Valve complete	432.085
16	Disk to ball valve	432.088
17	Serrated lock washer M 5	P...498 D
18	O-ring	P...960 O