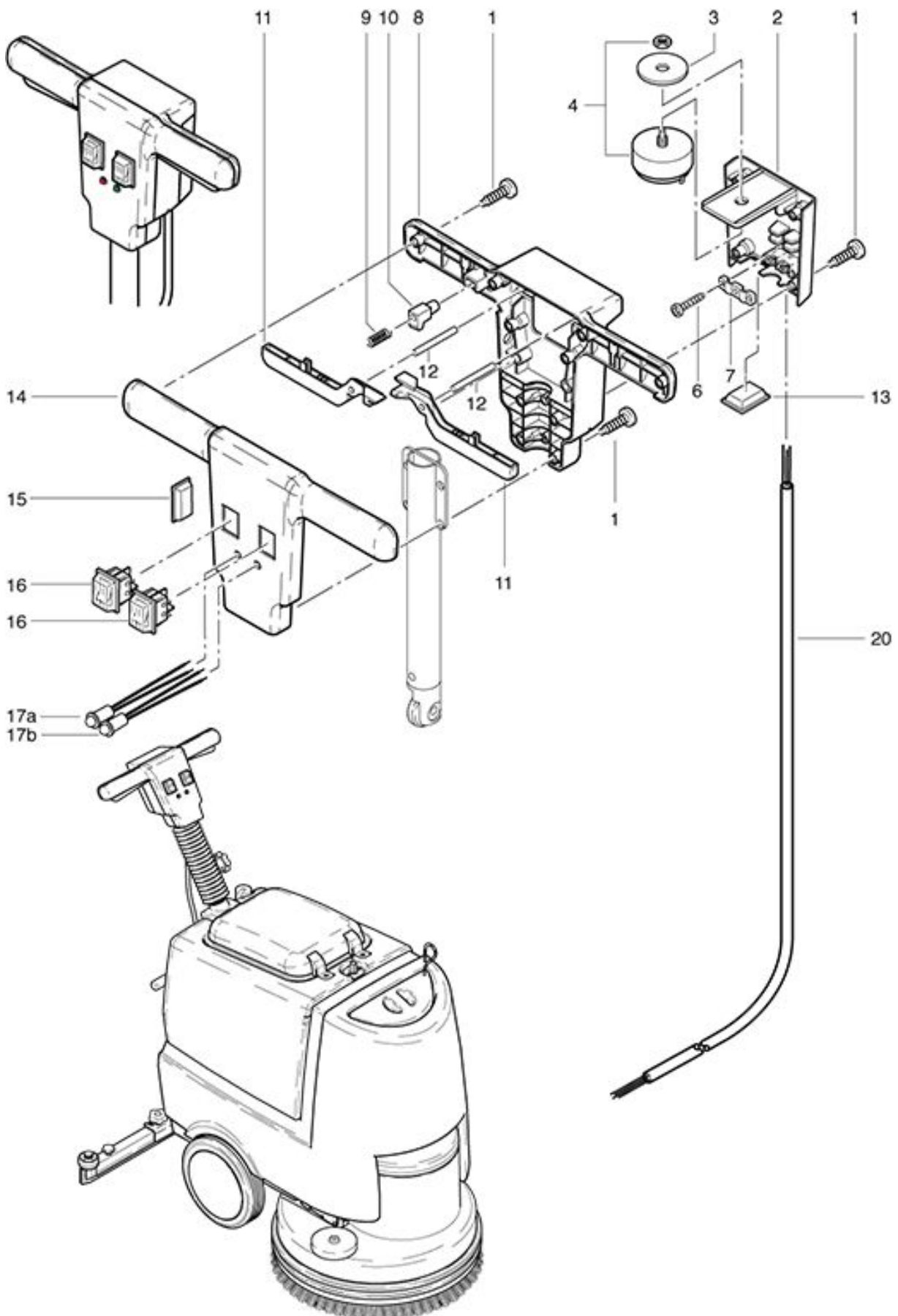


# Handle

As at: 01/25/10 Time:19:22



# Handle

As at: 01/25/10 Time:19:22

<b>Pos.</b>	<b>Description</b>	<b>Reference</b>
01	PT screw KA 50x25	P...515 L
02	Rear handle cover	741.310
03	Washer M 12/13/37/3	P...496
04	Switch (2)	6650454
06	Screw M 5x20	P...515 K
07	Cable clamp	742.321
08	Rear handle housing	436.324
09	Pressure spring	742.209
10	Button	742.208
11	Switch handle	741.204
12	Cylindrical pin Ø 6x50	P...512 M
13	Cover black	741.216
14	Front handle housing	436.310
15	Cover	P...171 O
16	Tumbler switch 24 V	P...241
17a	LED red 2.1 V	P...418 A
17b	LED green 2.1 V	P...418 A
20	Cable tree for pushbar	436.319