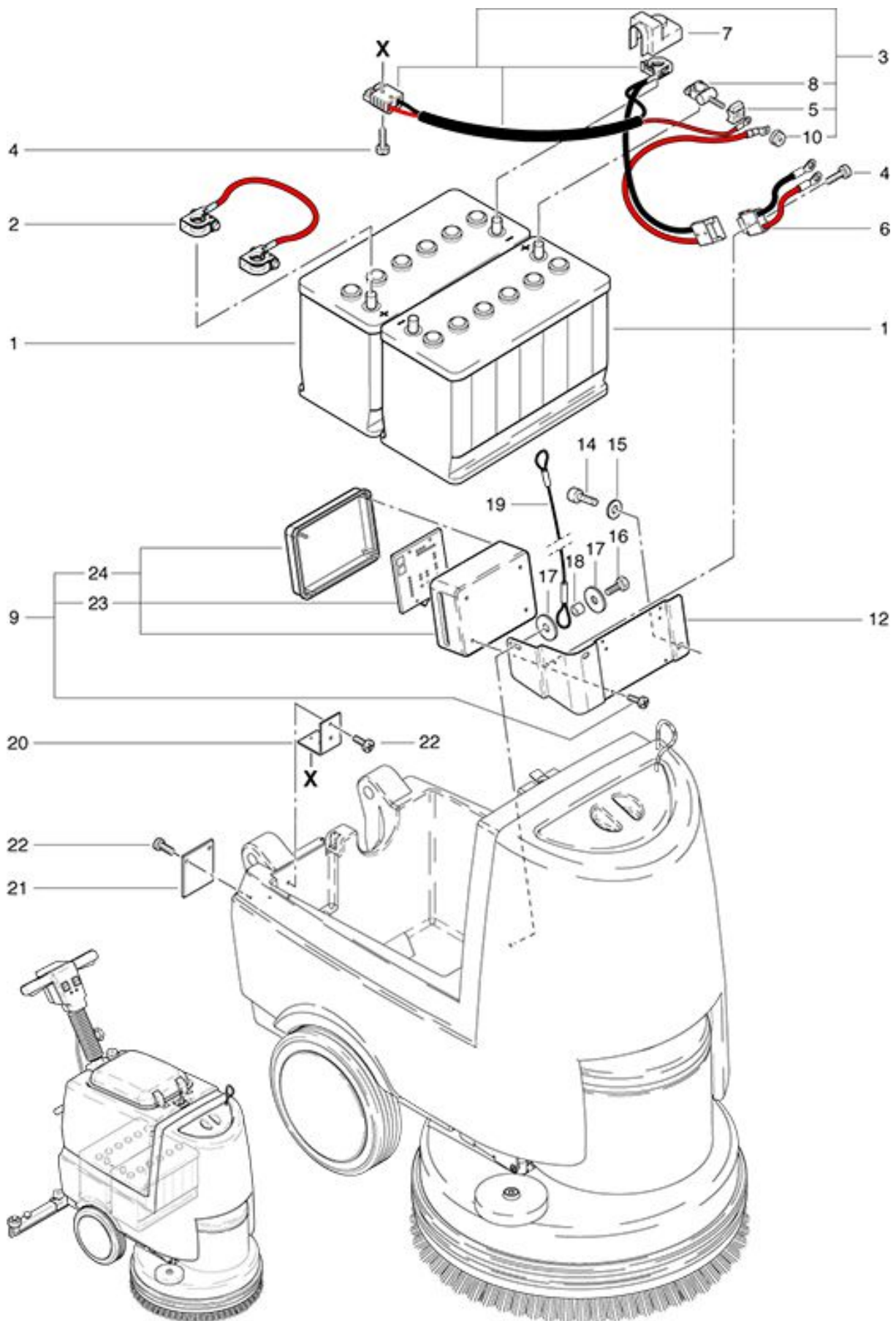


Batterie assembling

As at: 01/25/10 Time:19:19



Batterie assembling

As at: 01/25/10 Time:19:19

Pos.	Description	Reference
01	Set of Gel batteries 2x12V / 70 Ah (5 hours)	500.091
02	Battery connecting cable	436.995
03	Battery cable tree of complete inclusive pos. 5, 8+10	436.994
04	Pan head screw M 4x20	P...472 F
05	Fuse CF8, 75 A	560.710
06	Load plug wiring harness	436.713
07	Pole cover	P...357 D
08	Battery clamp 1-polig	P...357 E
09	Control box compl. inclusive pos. 23+24	436.770 A
10	Isolating nut/mother for CF8	710.353
12	Carrier control box	436.773
14	Cylindrical screw M 6x20	P...486 P
15	Washer M 6	P...496 L
16	Hexagon screw M 6x16	P...470 T
17	Washer M 6	P...497 Y
18	Distance washer	742.129
19	Polyester-hurry	436.447
20	Support angle	436.109
21	Plug cover	560.622
22	Filister-head screw M 5x10	P...481 Z
23	Print control	436.776
24	El. box Cleanfix	436.774