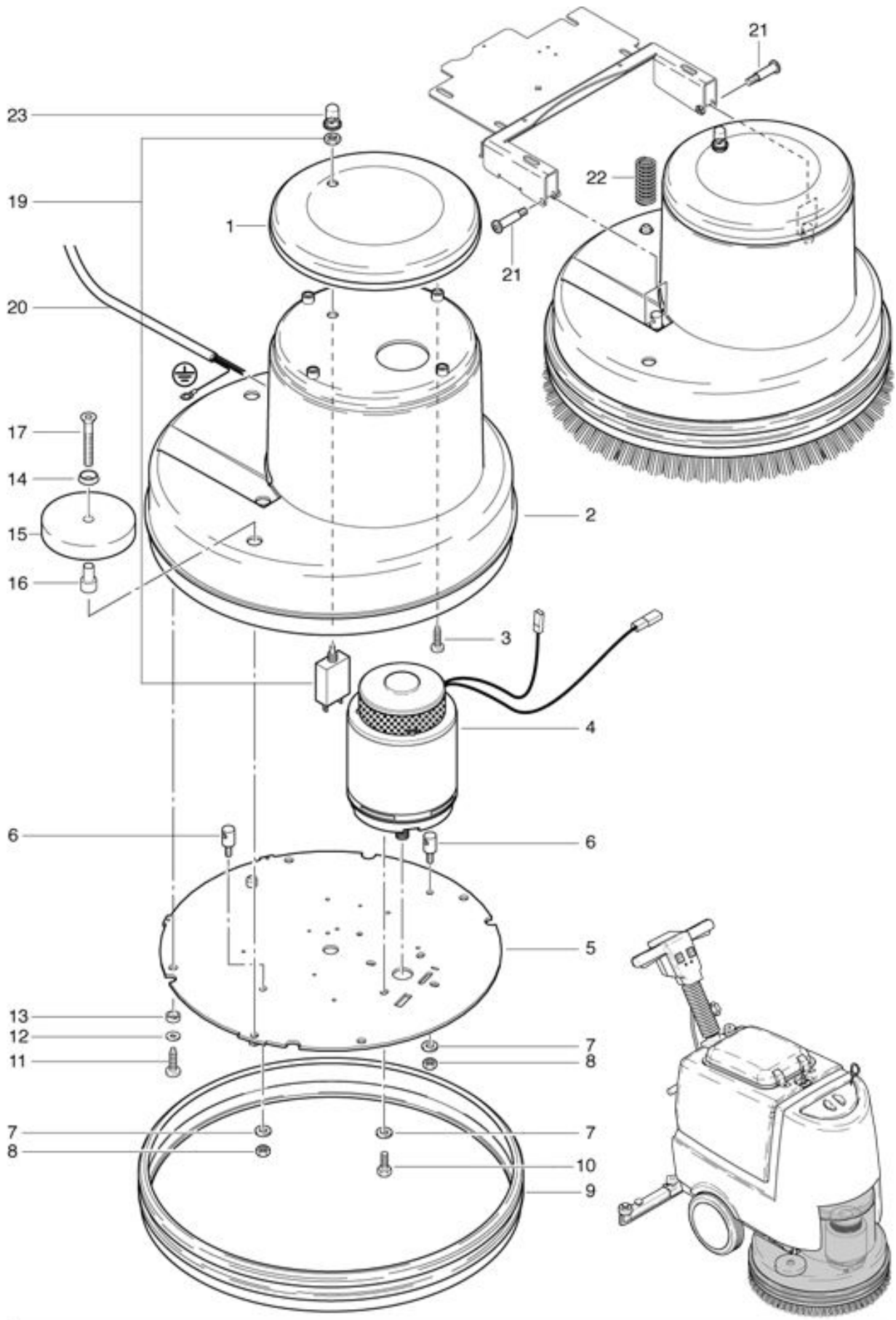


# Motor

As at: 01/25/10 Time:19:23



## Motor

As at: 01/25/10 Time:19:23

| <b>Pos.</b> | <b>Description</b>             | <b>Reference</b> |
|-------------|--------------------------------|------------------|
| 01          | Cover                          | 748.067 O        |
| 02          | Cover                          | 501.510          |
| 03          | PT-screw KA 50x24              | P...515 L        |
| 04          | Motor complete 24 V / DC 800 W | 470.121          |
| 05          | Drive disk                     | 501.502          |
| 06          | Hold bolt                      | 432.505          |
| 07          | Washer M 8                     | P...496 P        |
| 08          | Hexagon nut M 8                | P...492 H        |
| 09          | Shock protection               | 501.515          |
| 10          | Hexagon screw M 8x16           | P...471 D        |
| 11          | PT-screw KA 50x10              | P...515 LA       |
| 12          | Washer M 5                     | P...496 G        |
| 13          | Distance ring                  | 432.515          |
| 14          | Washer M 8/25/4.8 mm           | P...500 T        |
| 15          | Fender wheel Ø 90 mm           | 510.127          |
| 16          | Distance ring                  | 432.508          |
| 17          | Hexagon screw M 8x45           | P...488 U        |
| 19          | Protective switchgear 25 A     | 470.355          |
| 20          | Motor cable                    | 436.314          |
| 21          | Pass shoulder screw 8x285 M6x6 | 432.521          |
| 22          | Compression spring 56x18x2     | 436.520          |
| 23          | Protective cap E-T-A           | 500.957 A        |