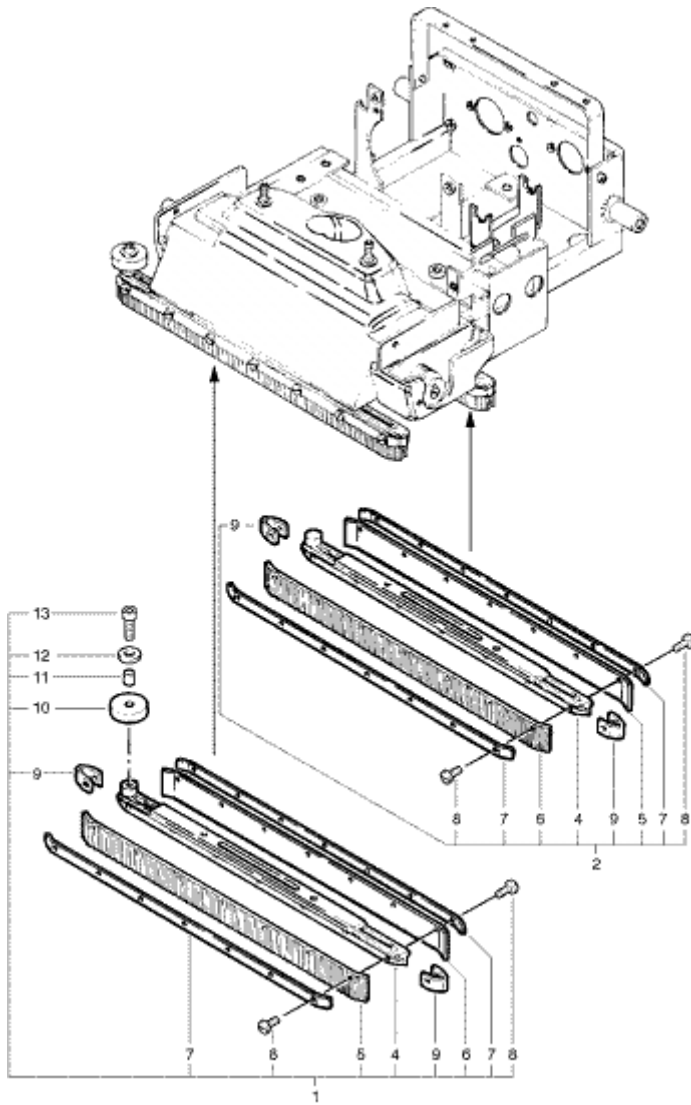


TD-13 Suction Nuzzle



Pos.	Description	Reference
01	Front suction nozzle compl. including Items 4-13	400.520
02	Rear suction nozzle compl. including Items 4-9	400.530
04	Suction nozzle	400.538
05	Outer lamella (blue)	400.540
06	Inner lamella (green)	400.545
07	Clamping plate 448x10x2,5 mm	400.534
08	Pan head M 4x10 mm	P...475V
09	Protection piece 50/10x1 mm	400.535
10	Fender wheel 40x10 mm	400.521
11	Distance piece 8/5x5,5x10,5 mm	400.522
12	Washer M5	P...497E
13	Hexagon Socket screw M 5x16 mm	