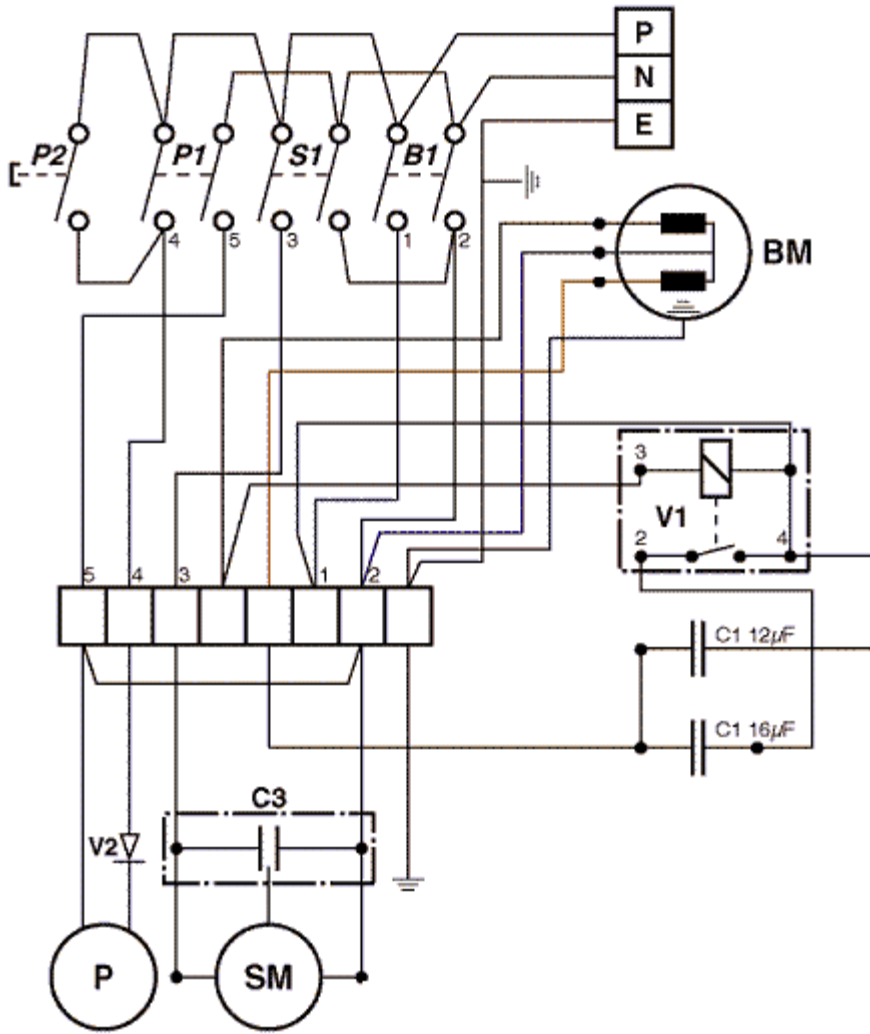


TD-13 Wiring Diagram



Pos.	Description	Reference
B1	Main switch for brush motor	
	Brush motor	400.281
	Working capacitor	
	Starting capacitor	
	Capacitor 0,47uF	
	Pump	P...812
	Main switch for continuous functioning	
	Main switch for interrupted functioning	
	Main switch for vacuum motor	
	Vacuum motor	400.211
	Starting capacitor	
	Diode	