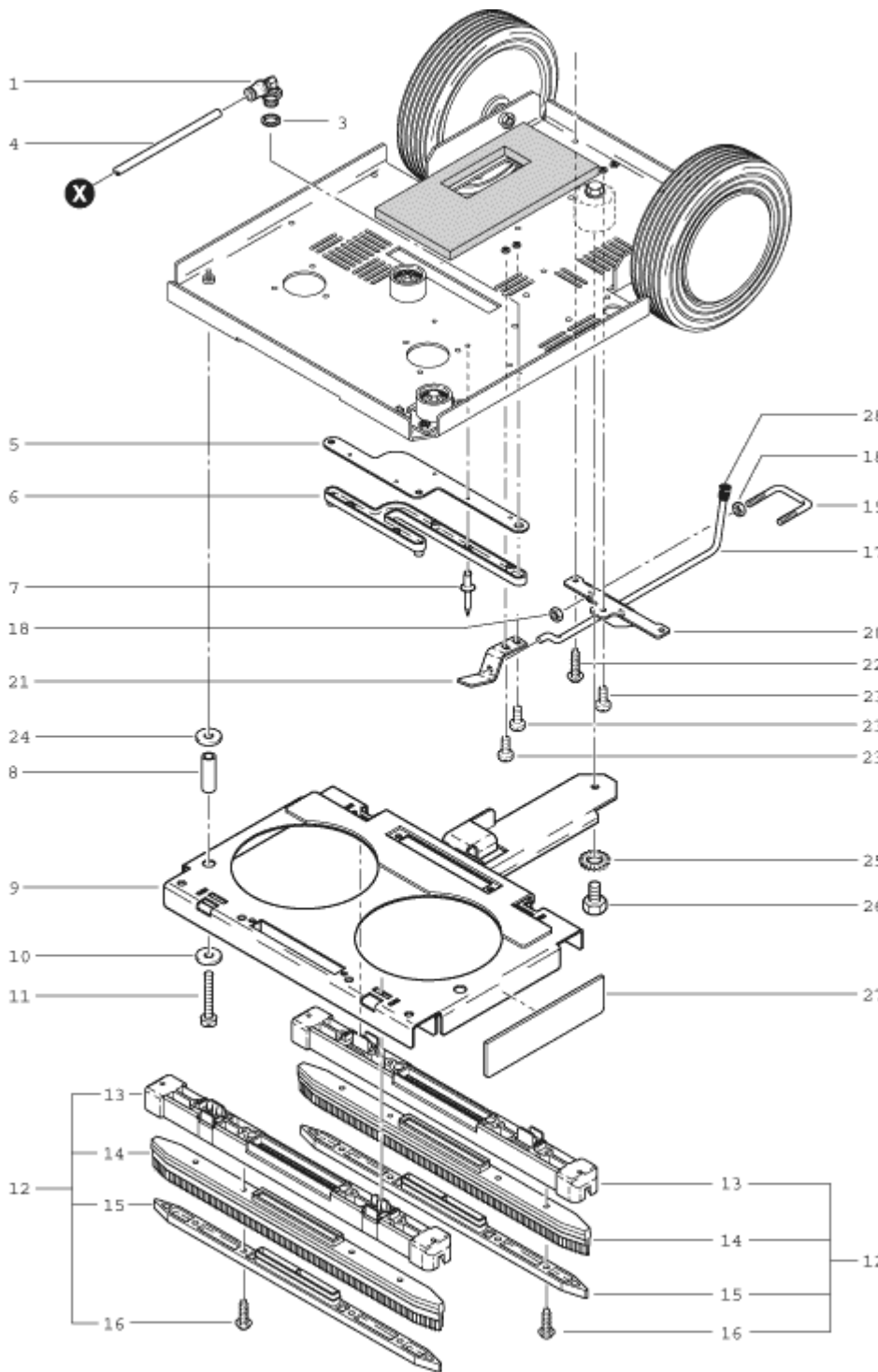


MS-12 SUCTION NOZZLE



Pos.	Description	Reference
01	Angled connector	P...533H
	Sealing ring	P...533I
04	Connection hose 640mm	300.165
	Water canal isolation	300.081
06	Water canal	300.022
	Rivet 3.2x16.2mm	P...485B
08	Guide sleeve	300.435
	Suction nozzle holder compl.	300.405
10	Washer M6	P...497W
	Screw M6x40	P...477M
12	Suction nozzle complete - including: items 13-16	300.420
	Suction nozzle	300.425
14	Rubber blade	300.422
	Holder for rubber blade	300.428
16	PT-screw KA50x16	P...516H
	Lever	300.416
18	Hexagon nut M6	P...490D
	Protection of lever	300.411
20	Rear guiding holder for lever	300.413
	Front guiding holder for lever	301.415
22	PT-screw KA40x16	P...516C
	Screw M4x8	P...481P
24	Washer M 6	P...496L
	Serrated lock washer M8	P...498G
26	Hexagon screw M8x10	P...471B
	Splash protection	300.312
28	Cap black	P...170K