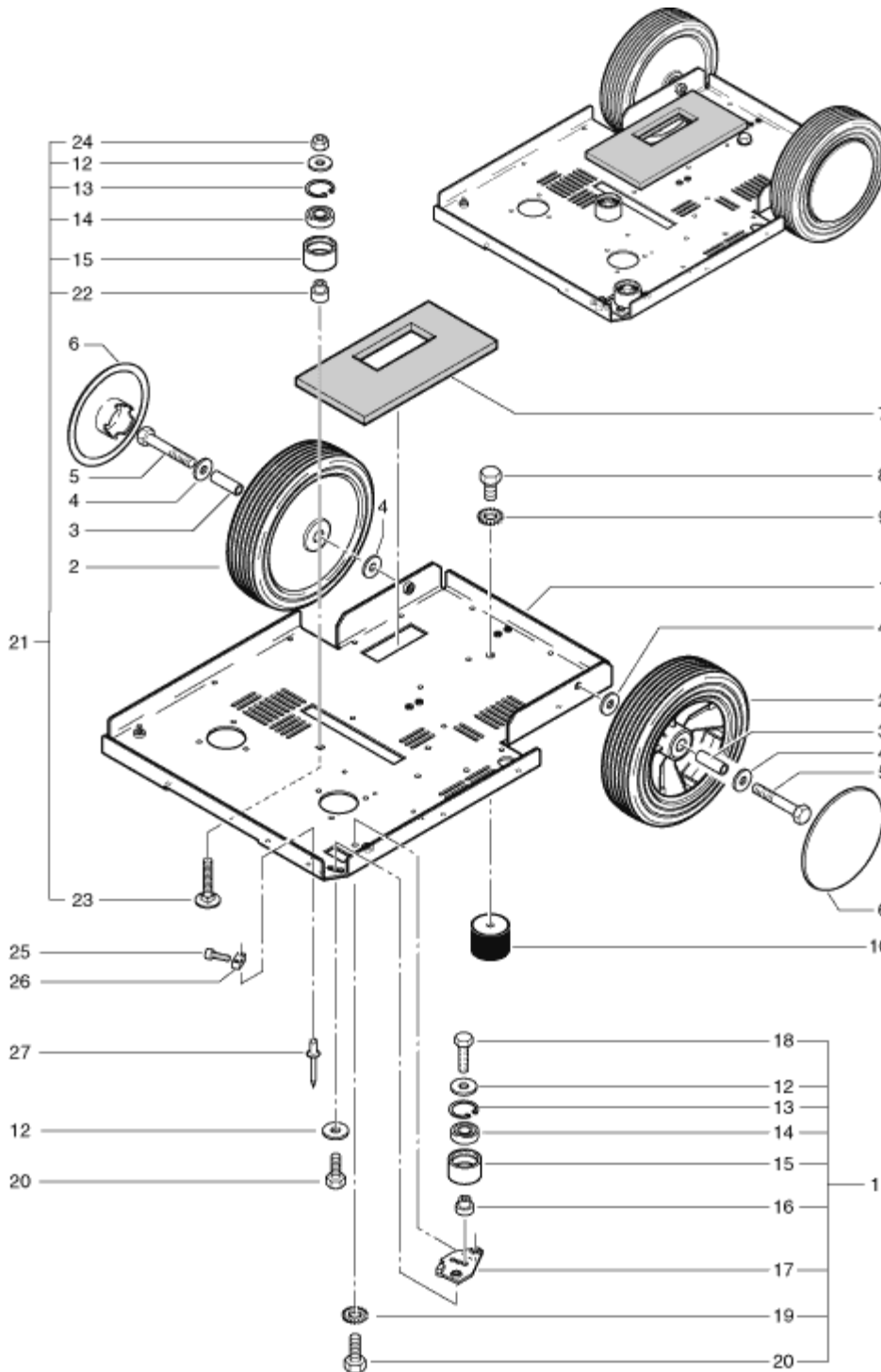


# MS-12 WHEEL



Pos.	Description	Reference
01	Bottom plate	300.111
02	Wheel	380.135
03	Distance piece	380.137
04	Washer M8	P...496Q
05	Hexagon screw M 8x55 mm	P...471K
06	Wheel cover	300.242
07	Isolation	300.065
08	Hexagon screw M 8x10 mm	P...471B
09	Serrated lock washer M8	P...498G
10	Round buffer	300.118
11	Idler pulley compl. - including: items 12-20	300.375
12	Washer M6	P...496L
13	Retaining ring dm 28 mm	P...499G
14	Ball bearing	P...316J
15	Pulley d 34x20 mm	300.378
16	Bearing pin d 18/12x14.7 mm	300.377
17	Fixation for pulley	300.161
18	Hexagon screw M 6x20 mm	P...472T
19	Serrated lock washer M6	P...499D
20	Hexagon screw M 6x12 mm	P...472R
21	Guide pulley - including: items 22-24	300.385
22	Bearing pin	300.388
23	Screw M 6x30 mm	P...481G
24	Stop nut M6	P...493K
25	Hexagon socket screw M 4x14 mm	P...486F
26	holder for pulley	300.387
27	Rivet 3.2x12 mm	P...485B