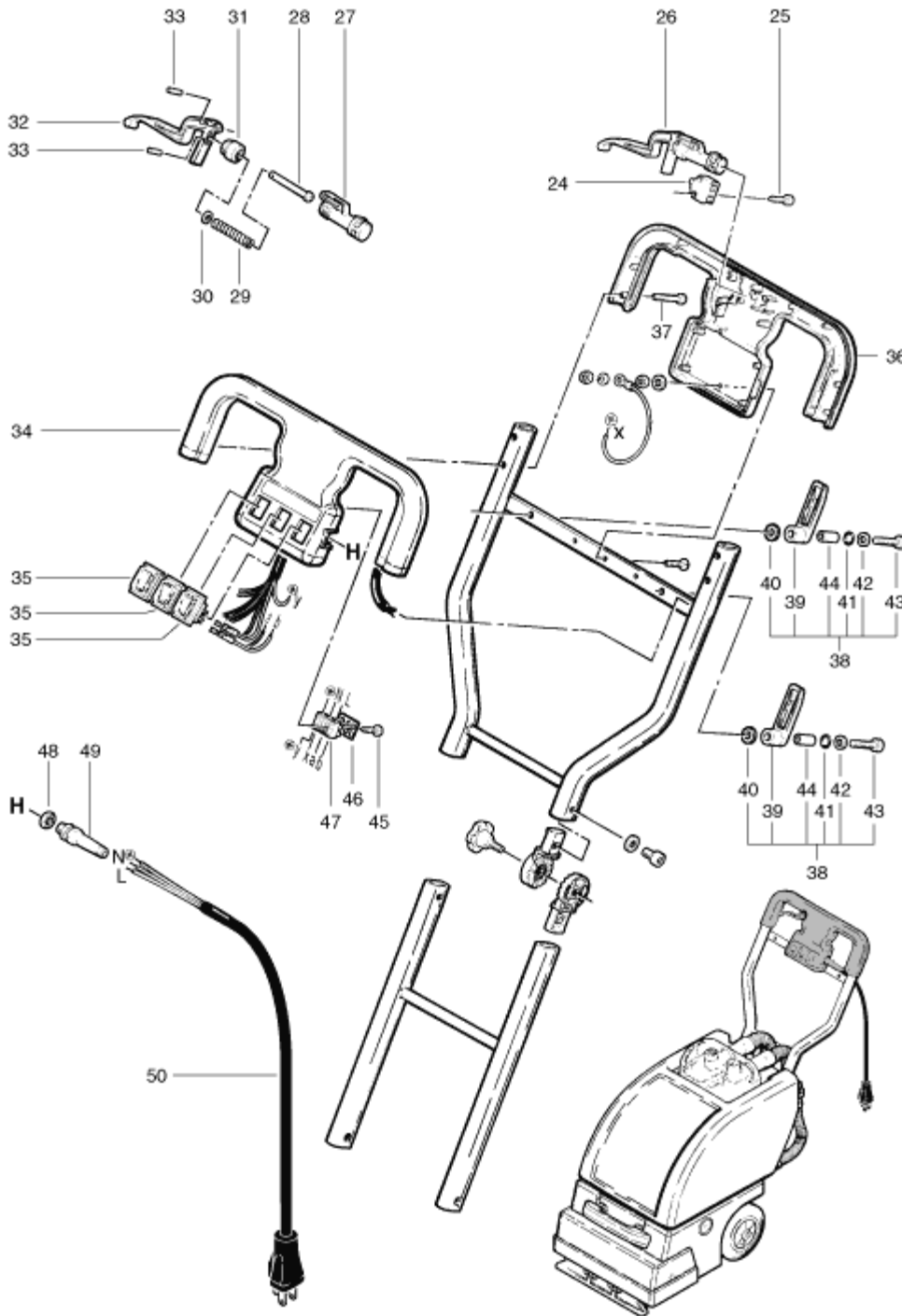


# CM-13 HANDLE



Pos.	Description	Reference
24	Switch	P...242
25	PT screw KA 30x20 mm	P...482 P
26	Lever complete including Items 27-33	400.620
27	Valve body	400.622
28	Valve pin	P...681 D
29	Valve spring	P...681 E
30	Washer M 5	P...497 G
31	Cap nut	P...681 B
32	Lever	400.621
33	Cyl. Pin Ø 1,5x14,5 mm	P...681 K
34	Upper handle housing	400.611
35	Tumbler switch	P...240
36	Lower handle housing	420.618
37	PT screw KA 30x30 mm	P...516B
38	Catch for cable complete including Items 39-44	P...087
39	Catch for cable	P...087 A
40	Washer Ø 6/16x1 mm	P...497 M
41	O-Ring 8,73x1,78 mm	P...088
42	Washer M 6	P...496 K
43	Hexagon socket screw M 6x30 mm	P...488 S
44	Distance piece Ø 6/8x18,8 mm	P...087 B
45	PT screw 3x20 mm	P...516 E
46	Marking plate	P...394
47	Terminal 3 poles	P...383 A
48	Counter nut PG 9	P...279 H
49	Cable attachment	P...279 D
50	Harness USA	P...275 A