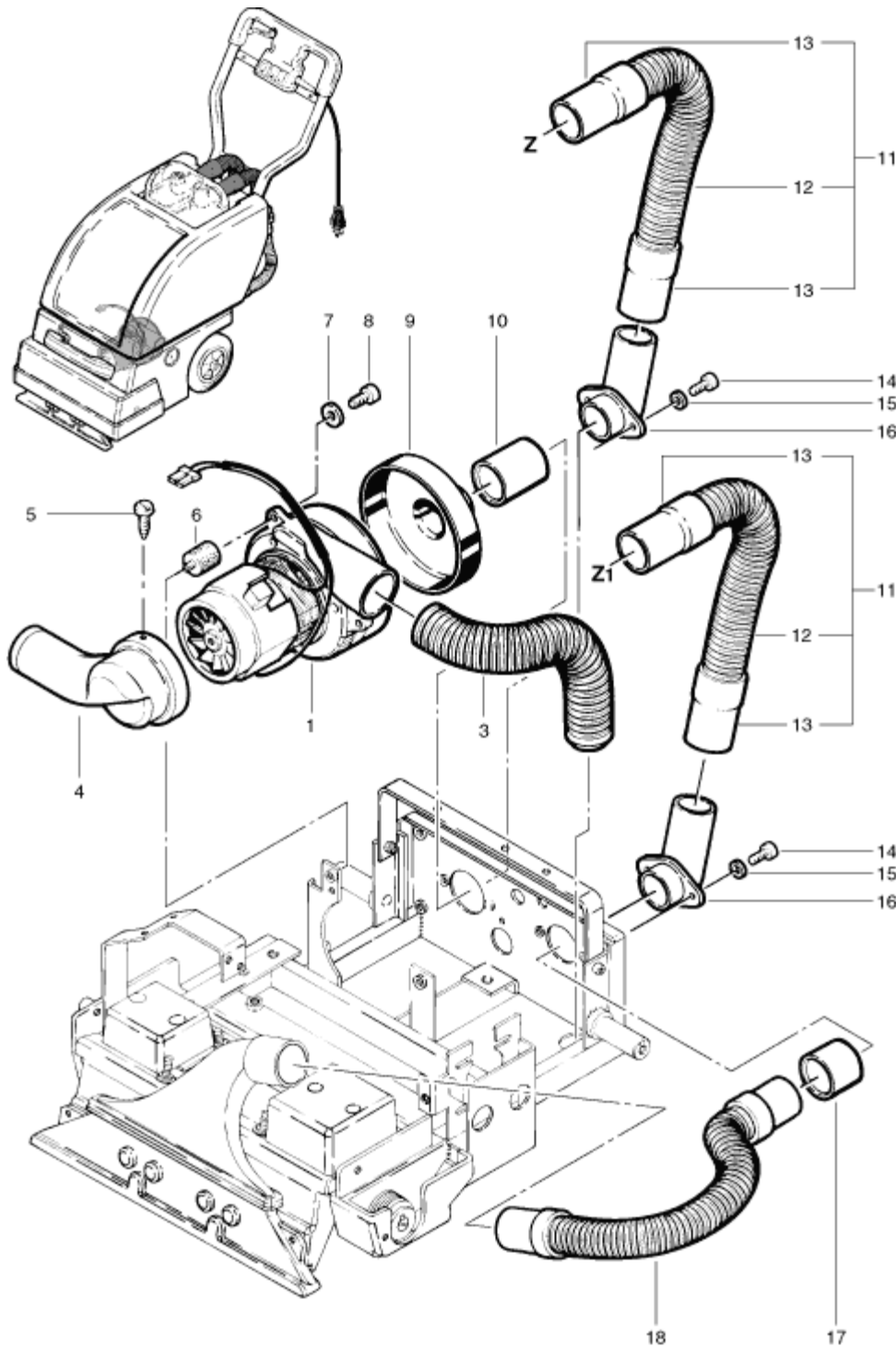


CM-13 SUCTION MOTOR & HOSES



Pos.	Description	Reference
01	Suction motor 120V 60Hz	420.210 A
03	Noise absorbing hose	400.227
04	Tube for motor cooling	420.361
05	Screw 2,9x9,5	P...483 G
06	Round buffer \varnothing 20x30 mm	400.214
07	Washer M 6	P...496 L
08	Hexagon socket screw M 6x16	P...486 V
09	Hose connection cap	500.445
10	Connection piece	420.212
11	Complete hose including Items 12+13	411.770
12	Hose 40/33x310	411.772
13	Socket NW 32	P...575 B
14	Hexagon socket screw M 4x12	P...486 A
15	Washer M 4	P...496 C
16	Connection piece	420.220
17	Socket 45/37,5x47 mm	400.224
18	Suction hose	500.408 A