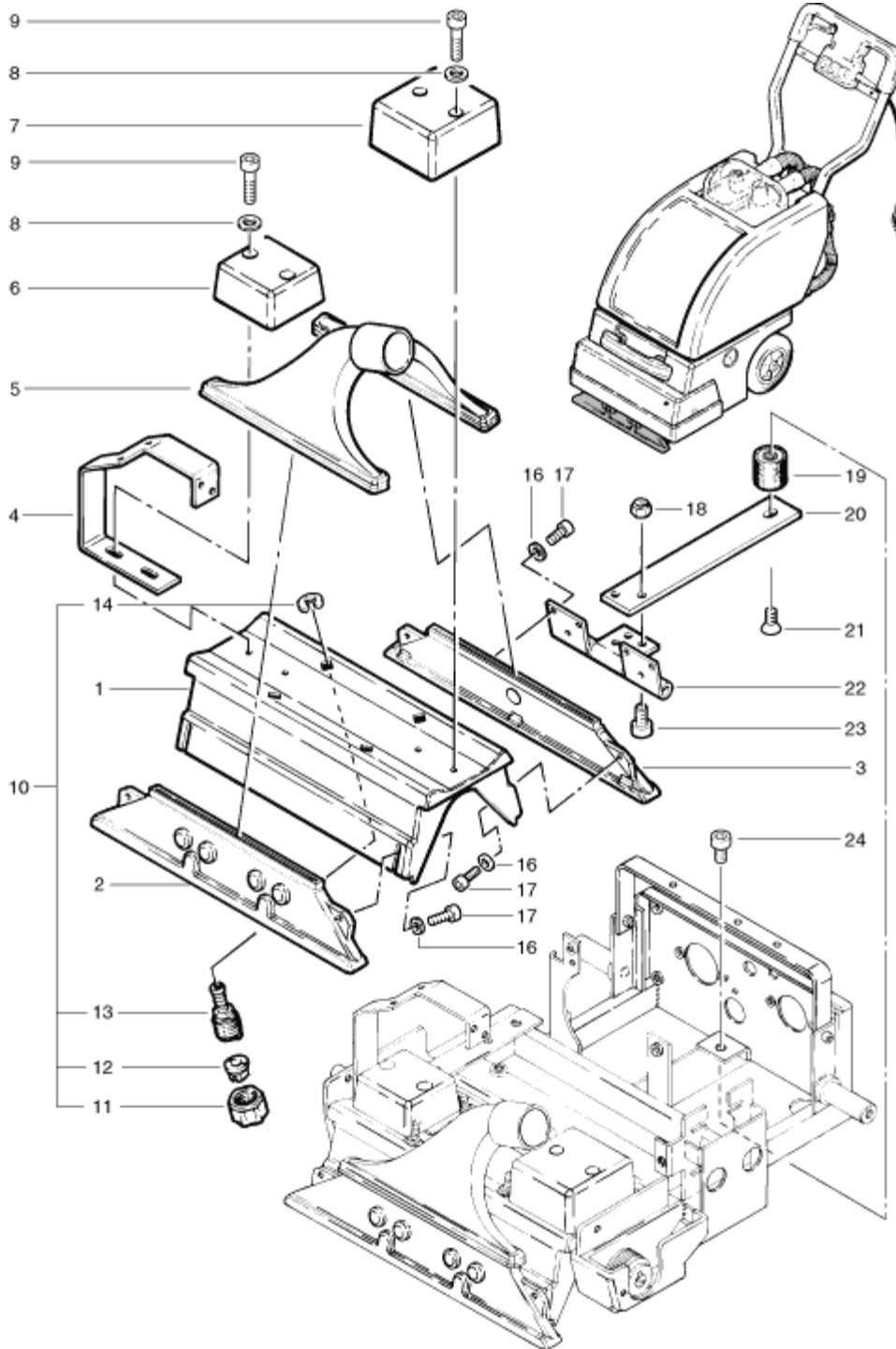


CM-13 BRUSH HOUSING & NOZZLES



| Pos. | Description | Reference |
|------|--|-----------|
| 01 | Brush canal | 420.510 |
| | Suction nozzle (front) | 420.520 |
| 03 | Suction nozzle (rear) | 420.530 |
| | Pump holder | 420.569 |
| 05 | Adaptor for suction nozzle | 420.560 |
| | Weight (right) | 420.567 |
| 07 | Weight (left) | 420.564 |
| | Washer M 6 | P...496 K |
| 09 | Hexagon socket screw M 6x30 | P...488 S |
| | Spraying nozzle complete including items 11-14 | 420.550 |
| 11 | Cup nut 3/8" | P...602 D |
| | Spraying jet | P...627 B |
| 13 | Holder for nozzle | P...602 E |
| | Security washer | P...499 N |
| 16 | Washer M 5 | P...497 G |
| | Hexagon screw M 5x12 | P...488 B |
| 18 | Stopp-nut M 6 | P...492 K |
| | Round buffer | 420.393 |
| 20 | Lever | 420.392 |
| | Countersunk screw M 8x12 | P...479 R |
| 22 | Hinge | 420.391 |
| | Hexagon screw M 6x16 | P...488 P |
| 24 | Hexagon screw M 8x10 | P...487 A |