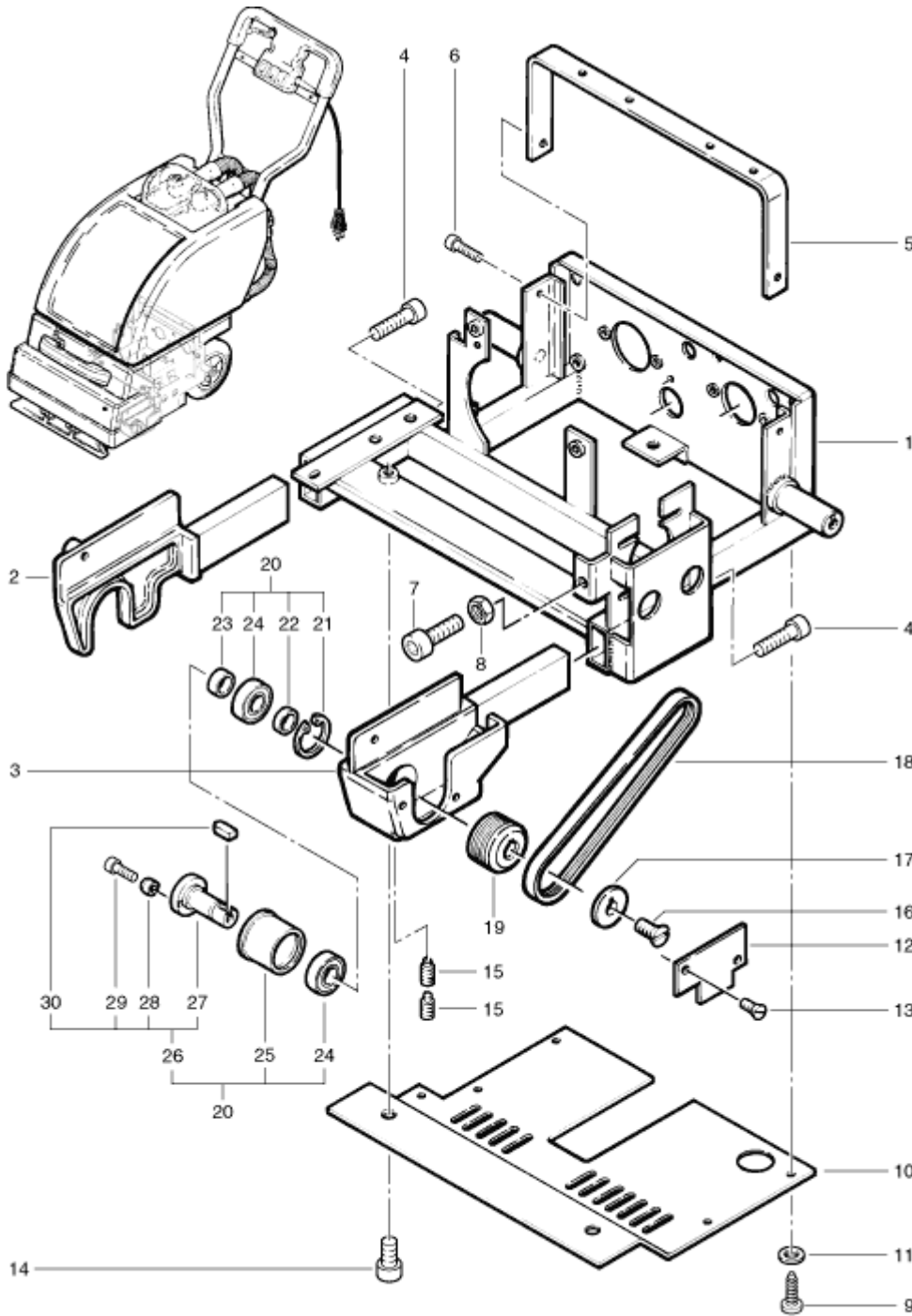


CM-13 CHASSIS



Pos.	Description	Reference
01	Chassis compl.	400.110
02	Right support	400.114
03	Left support	421.112
04	Hexagon socket screw M 6x25	P...486 T
05	Frame	420.352
06	Hexagon socket screw M 4x12	P...486 A
07	Hexagon socket screw M 8x25	P...487 D
08	Hexagon nut M 8	P...490 E
09	Screw 2,9x9,5	P...483 G
10	Bottom plate	420.119
11	Washer M 3	P...497 B
12	Cover	420.118
13	Countersunk screw M 4x8	P...480 C
14	Hexagon socket screw M 8x10	P...487A
15	Thread pin M 5x5	P...482 Z
16	Countersunk screw M 6x12	P...487 U
17	Attaching washer	P...499
18	Driving belt	420.425
19	Belt pulley	490.415
20	Brush axle complete including Items 21-30	400.401
21	Retaining ring I 32	P...514 K
22	Distance ring 18/15x4	400.414
23	Distance ring 13/15x6,8	400.413
24	Ball bearing	P...316 M
25	Bearing box	400.410
26	Axe complete including Items 27-30	400.405
27	Axle	400.411
28	Distance ring	400.418
29	Hexagon socket screw M 4x8	P...488 D
30	Wedge	400.420