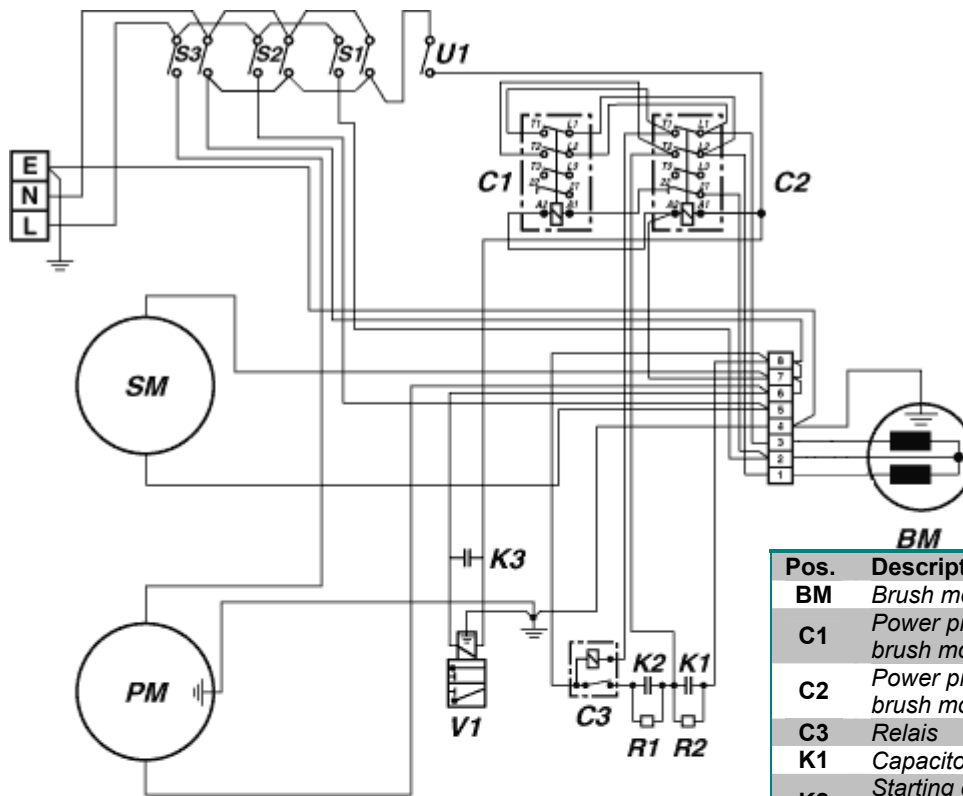


CM-13 WIRING DIAGRAM



| Pos. | Description | Reference |
|------|---------------------------------|-----------|
| BM | Brush motor | 421.281 |
| C1 | Power protector for brush motor | P...353 A |
| C2 | Power protector for brush motor | P...353 A |
| C3 | Relais | 420.331 A |
| K1 | Capacitor 50 μ F | P...385 F |
| K2 | Starting capacitor 70 μ F | P...385 G |
| K3 | Capacitor 0.33 μ F | P...393 A |
| PM | Flojet-Pump | P...823 |
| R1 | Resistor 8.2 kOhm | 421.321 |
| R2 | Resistor 5.6 kOhm | 421.320 |
| S1 | Tumbler switch for brush motor | P...240 |
| S2 | Tumbler switch for vacuum Motor | P...240 |
| S3 | Tumbler switch for pump | P...240 |
| SM | Vacuum motor | 420.210 A |
| U1 | Switch for brush motor | P...242 |
| V1 | Magnetic valve 3/2 ways | 420.276 A |